



Experience Innovation

Name: 6" Self Priming Cast Iron Trash Pumps (Wet Prime)

Model: 6HT

With its heavy-duty cast-iron construction, ability to self-prime when filled with water, and re-prime automatically, the Thompson 6HT leads the industry in construction, industrial and wastewater applications. The Thompson 6HT is designed for moderate flow rates up to 1,430 gpm and can handle heads up to 104 feet.



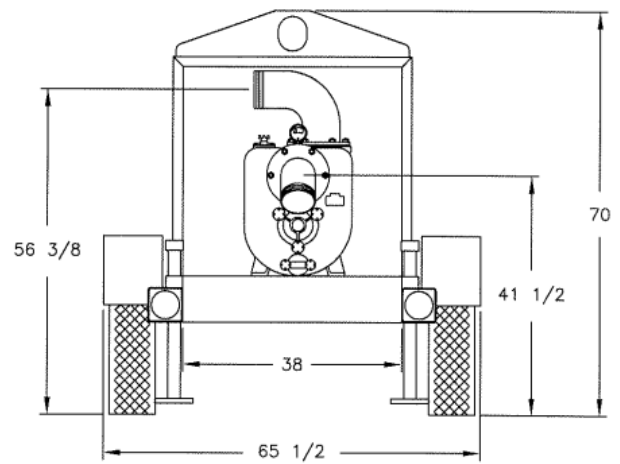
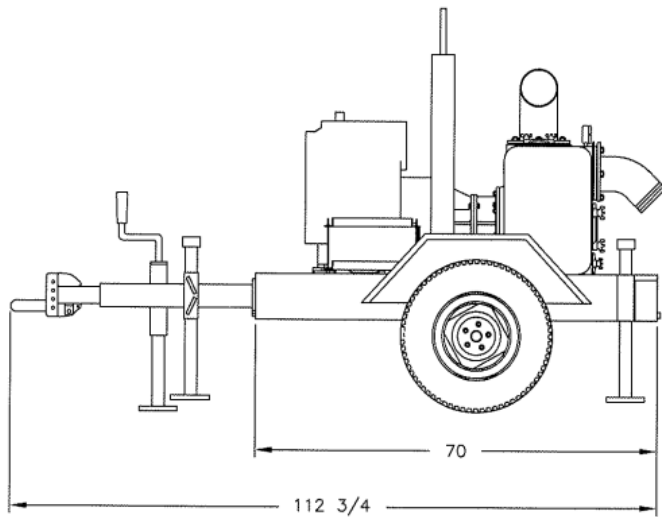
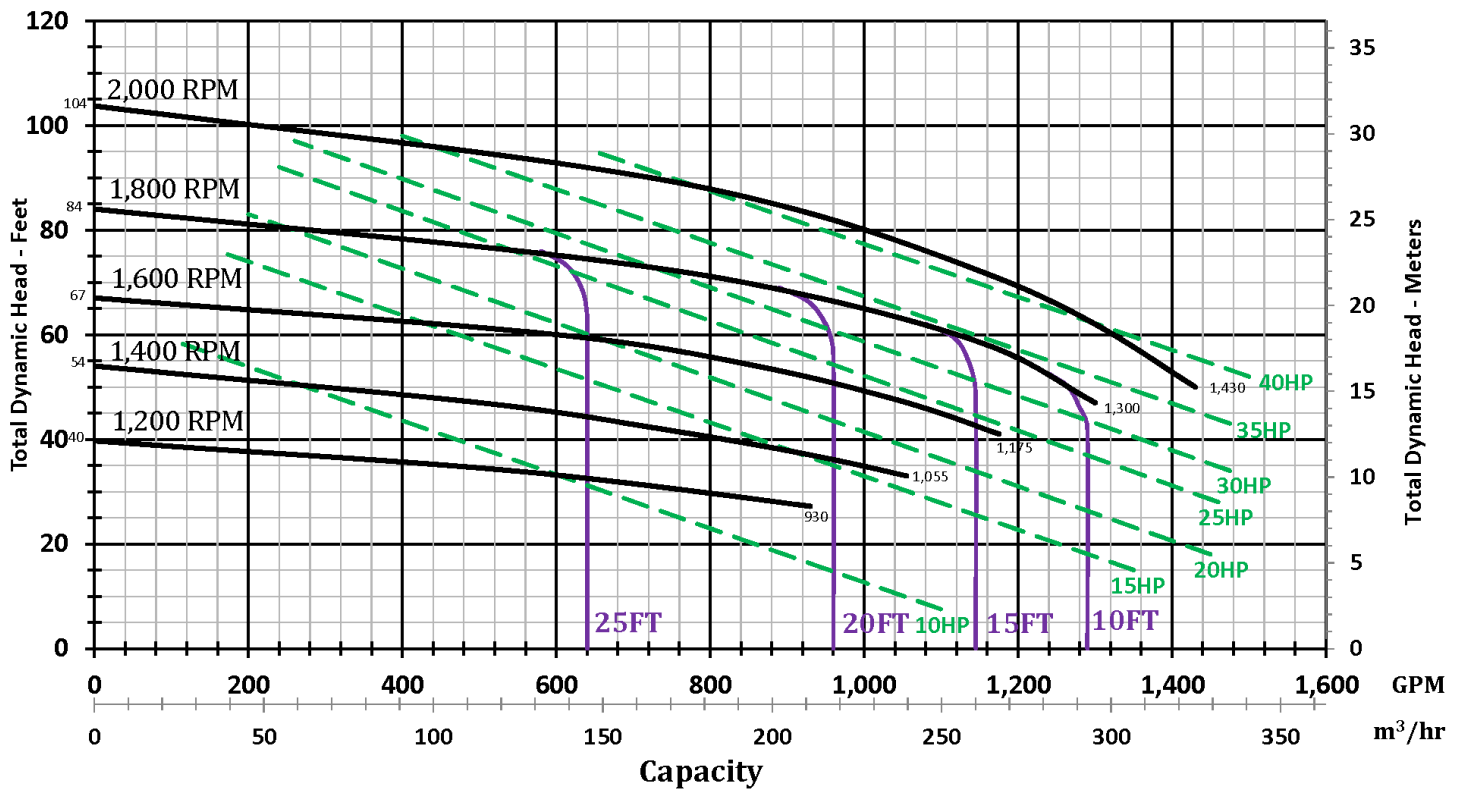
Photo shown may not be exact model.

Consult factory for other versions & options including site trailers, sound attenuation, etc.

Pump End Materials	
Pump Casing	Heavy-duty class 30 cast-iron.
Impeller	Dynamically balanced, non-clogging, semi-open, 65-45-12 ductile iron with rear-equalizing vanes to reduce axial loading and prolong seal and bearing life; diameter 9.74".
Mechanical Seal	Dry-running, grease or oil lubricated with Tungsten Carbide rotating and Silicon Carbide stationary seal faces. Single inside mounted, non-pusher type with self-adjusting elastomeric bellows. Other components are 304 stainless steel and Viton.
Head	Rugged, back pull out design, heavy-duty class 30 cast iron with tapered bore design.
Bearings	Heavy-duty grease lubricated to carry both axial and radial loads.
Bearing Frame	Heavy-duty class 30 cast iron.
Shaft	High quality stress-proof steel.
Wear Plate	Replaceable, class 30 cast iron with abrasion resistant rubber facing to extend service life.

Technical Specifications			
Suction Size	6 in (15.24 cm)	Approximate Dry Weight	3,225 lbs (2,068.38 kg)
Discharge Size	6 in (15.24 cm)	Best Efficiency	71%
Maximum Solids Handling	3 in (7.62 cm)	Maximum Operating Speed	2,000 rpm
Maximum Operating Temperature	200° F (93.33° C)	Maximum Operating Pressure	45 psi (310.41 kPa)

Fuel Tank Options		Isuzu Max Run Time
Integral	62 Gal	38 Hours



Isuzu 4LE2T—43 hp @ 2,400 rpm

Typical Operating Speed	2,000 rpm	Engine Speed	Fuel Economy	Run Time*
Maximum Head	104 ft (31.70 m)	2,000 rpm	0.390 lb/hp-hr	25 hrs
Maximum Flow Capacity	1,430 gpm (324.61 m ³ /hr)	1,800 rpm	0.379 lb/hp-hr	28 hrs
Maximum Fuel Consumption	2.45 gph (9.27 L/hr)	1,600 rpm	0.372 lb-hp-hr	38 hrs

*Engine run times calculated based on a 62 gallon fuel tank.

Specifications and illustrations are subject to revision without notice and without incurring any obligation for previous or subsequent equipment sold. Thompson Pump (ISO 9001:2015) makes no representation regarding the completeness or accuracy of this information and is not liable for any direct or indirect damages arising from or relating to this information or its use. Capacity & Head are shown for comparative purposes. Consult Thompson factory for exact capabilities.