



Model: 4" Utility Trash/Sewage Pump

Name: 4TS

Experience Innovation

The Thompson trash/sewage pump with self-priming centrifugal pump end is ideal for construction dewatering and sewer bypass applications. Specified for handling large solids and/or abrasive material at high heads, the 4TS outperforms other centrifugal trash pumps on the market and costs less to operate. The quality and dependability engineered into each Thompson heavy-duty trash pump provides the high performance needed to get the job done efficiently and effectively.

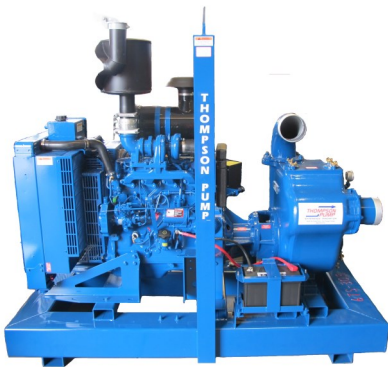


Photo shown may not be exact model.

Consult factory for options.

Pump End Materials	
Pump Casing	Heavy-duty class 30 ductile iron with built-in volute.
Impeller	Dynamically balanced, two-vane, non-clogging, semi-open with full rear shroud, ductile iron, with rear-equalizing vanes to reduce axial loading and prolong seal and bearing life. Diameter 9.74".
Mechanical Seal	Grease or oil lubricated with Tungsten Carbide rotating and stationary seal faces. Single inside mounted, non-pusher type with self-adjusting elastomeric bellows.
Head	Rugged, back pull out design, heavy-duty class 30 cast iron with tapered bore design.
Bearings & Frame	Heavy-duty grease lubricated to carry both axial and radial loads. Frame, heavy-duty class 30 cast iron.
Shaft	Carbon steel and fitted with a 304 stainless steel shaft sleeve.
Suction Check Valve	Built-in weighted, full-flow valve to eliminate re-priming with each cycle.
Wear Plate	Replaceable, class 30 cast iron with abrasion resistant rubber facing to extend to extend service life.

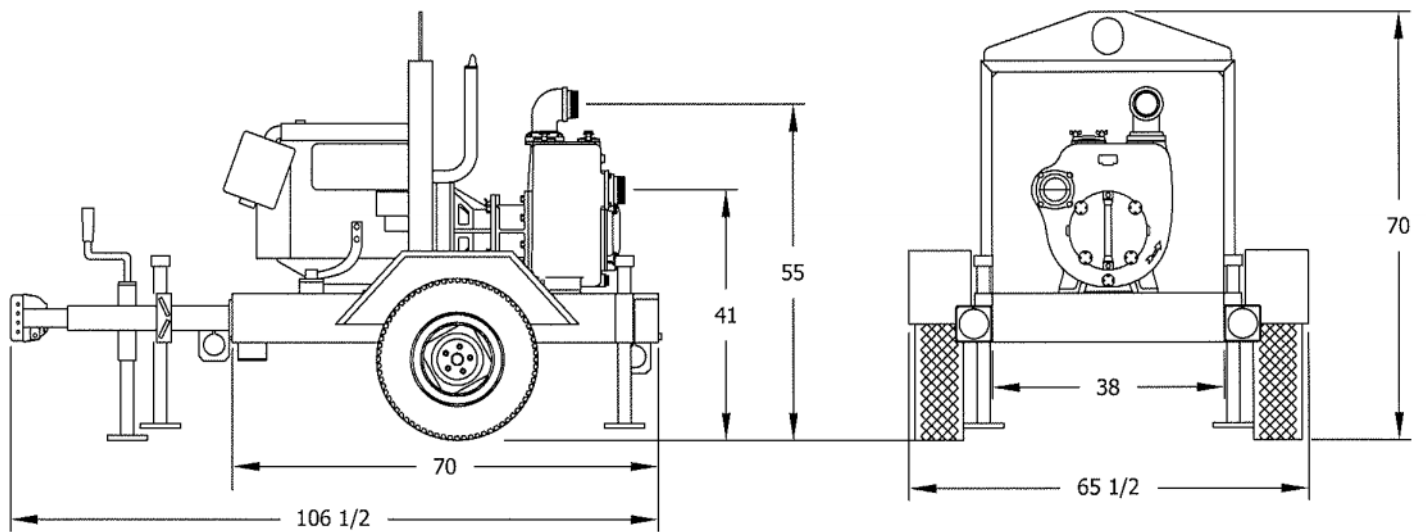
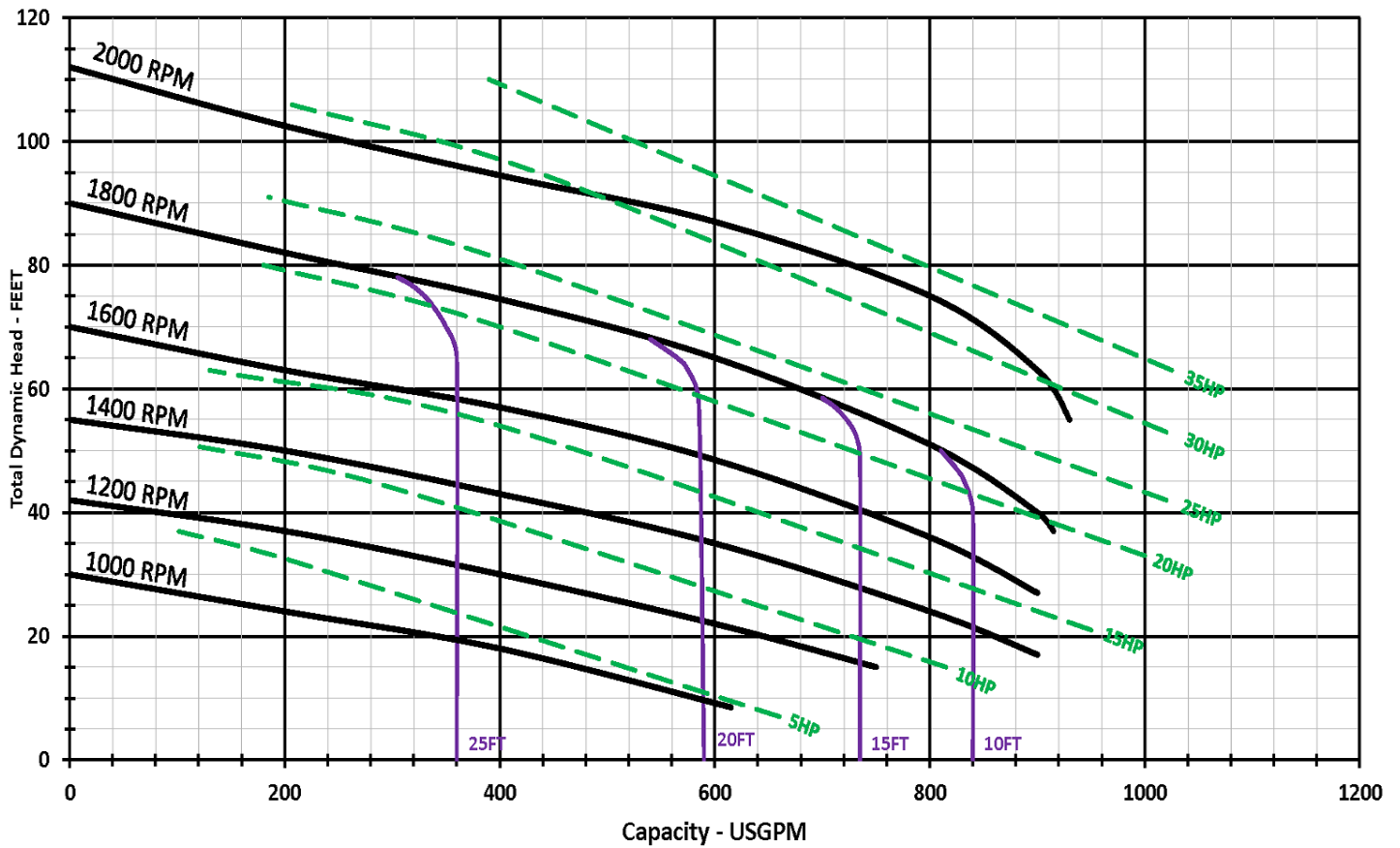
Technical Specifications			
Suction Size	4 in (10.16 cm)	Approximate Dry Weight	3,210 lbs (1,456 kg)
Discharge Size	4 in (10.16 cm)	Best Efficiency	N/A
Maximum Solids Handling	3 in (7.62 cm)	Maximum Operating Speed	2,000 rpm
Maximum Operating Temperature	200° F (93.33° C)	Maximum Operating Pressure	48.5 psi (334.29 kPa)

Fuel Tank Options		Isuzu	
Integral		44 Gal	37 Hours
Modular (M)		50 Gal	42 Hours

*Consult factory for fuel tank sizes not listed above.

Thompson Pump and Manufacturing Co., Inc.
 4620 City Center Drive, Port Orange, FL 32129 USA
www.thompsonpump.com

Nationwide 800-767-7310 • International +1-386-767-7310
sales@thompsonpump.com Jun-20



Isuzu 4LE2T—43 hp @ 2,400 rpm

Typical Operating Speed	2,000 rpm	Engine Speed	Fuel Economy	Run Time*
Maximum Head	112 ft (34.14 m)	2,000 rpm	0.390 lb/hp-hr	19 hrs
Maximum Flow Capacity	930 gpm (211.11 m ³ /hr)	1,800 rpm	0.379 lb/hp-hr	27 hrs
Maximum Fuel Consumption	2.22 gph (8.4 L/hr)	1,600 rpm	0.372 lb/hp-hr	37 hrs

*Engine run times calculated based on a 44 gallon fuel tank.

Specifications and illustrations are subject to revision without notice and without incurring any obligation for previous or subsequent equipment sold. Thompson Pump (ISO 9001:2015) makes no representation regarding the completeness or accuracy of this information and is not liable for any direct or indirect damages arising from or relating to this information or its use. Capacity & Head are shown for comparative purposes. Consult Thompson factory for exact capabilities.