



Experience Innovation

Model: 6" Compressor-Assisted Solids Handling Pump

Name: 6JSCEE

With its heavy-duty cast-iron construction and fast priming capabilities, the Thompson 6JSCEE solids handling end suction centrifugal pump leads the industry in construction, industrial and municipal applications. The Thompson 6JSCEE is designed for moderate flows up to 2,600 gpm and heads up to 150 feet making it perfect for sewage bypass pumping or general construction dewatering.



Photo shown may not be exact model.

Consult factory for options.

Pump End Materials	
Pump Casing	Heavy-duty class 30 ductile-iron.
Impeller	Dynamically balanced, non-clogging, enclosed, 65-45-12 ductile iron with rear-equalizing vanes to reduce axial loading and prolong seal and bearing life; diameter 10.1".
Mechanical Seal	Dry-running, grease or oil lubricated with tungsten carbide rotating and silicon carbide stationary seal faces. Single inside mounted, non-pusher type with self-adjusting elastomeric bellows. Other components are 304 stainless steel and Viton.
Head	Rugged, back pull out design, heavy-duty class 30 cast iron with tapered bore design.
Bearings	Heavy-duty grease lubricated to carry both axial and radial loads.
Bearing Frame	Heavy-duty class 30 cast iron.
Shaft	SAE 1144 high quality stress-proof steel with renewable 416 stainless steel shaft sleeve.

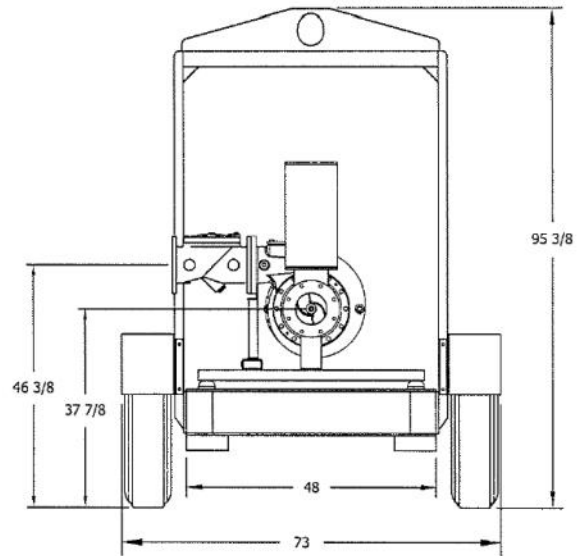
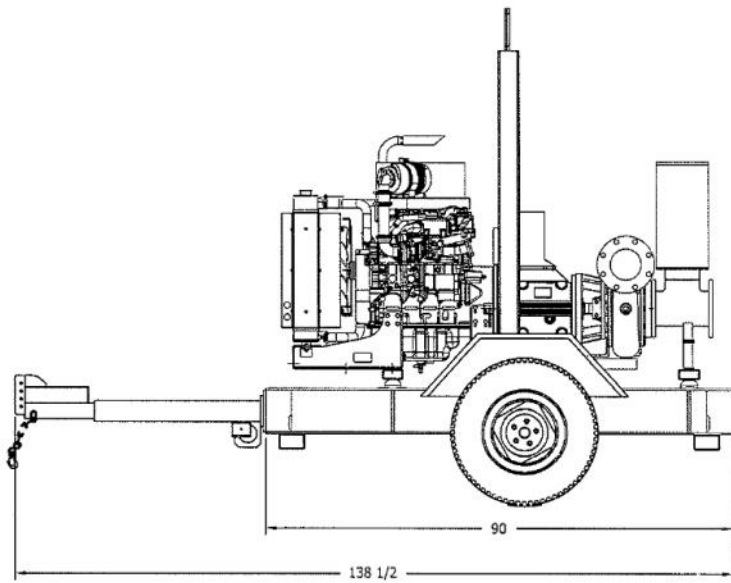
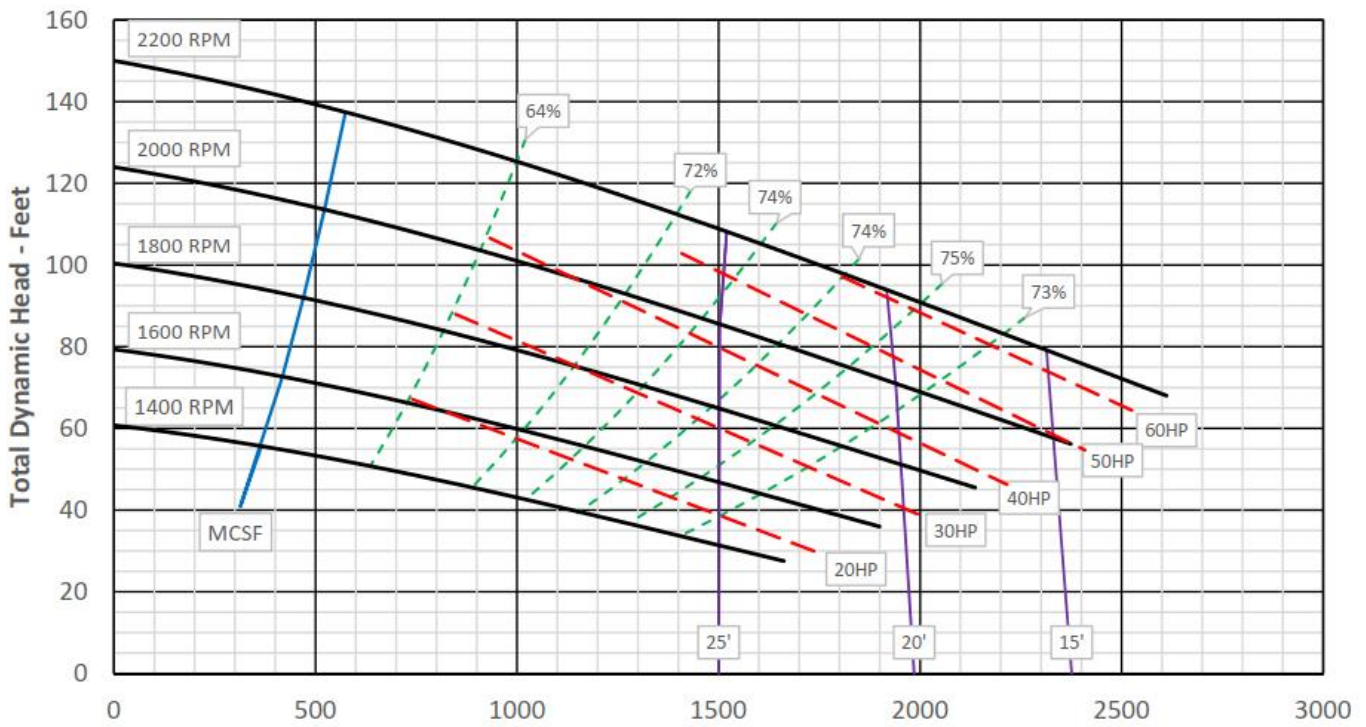
Technical Specifications			
Suction Size	6 in (15.24 cm)	Approximate Dry Weight	4,100 lbs (1,859.73 kg)
Discharge Size	6 in (15.24 cm)	Best Efficiency	75%
Maximum Solids Handling	3 in (7.62 cm)	Maximum Operating Speed	2,200 rpm
Maximum Operating Temperature	200° F (93.33° C)	Maximum Operating Pressure	65 psi (447.71 kPa)

Fuel Tank Options*	Deutz	Cummins
Integral	62 Gal	26 Hours
Modular (M)	100 Gal	42 Hours
Double-Wall (D)	75 Gal	31 Hours
Modular Large Capacity (X)	150 Gal	63 Hours

*Contact factory for fuel tank sizes not listed above.

Thompson Pump and Manufacturing Co., Inc.
4620 City Center Drive, Port Orange, FL 32129 USA
www.thompsonpump.com

Nationwide 800-767-7310 • International +1-386-767-7310
sales@thompsonpump.com Jun-20



Deutz TD2.9L4— 67 hp @ 2,400 rpm

Typical Operating Speed	2,200 rpm	Engine Speed	Fuel Economy	Run Time*
Maximum Head	150 ft (45.72 m)	2,200 rpm	0.405 lb/hp-hr	14 hrs
Maximum Flow Capacity	2,600 gpm (590.2 m ³ /hr)	2,000 rpm	0.390 lb/hp-hr	19 hrs
Maximum Fuel Consumption	4.33 gph (16.39 L/hr)	1,800 rpm	0.379 lb-hp-hr	26 hrs

Cummins QSF2.8—74 hp @ 2,400 rpm

Typical Operating Speed	2,200 rpm	Engine Speed	Fuel Economy	Run Time*
Maximum Head	150 ft (45.72 m)	2,200 rpm	0.373 lb/hp-hr	15 hrs
Maximum Flow Capacity	2,600 gpm (590.2 m ³ /hr)	2,000 rpm	0.369 lb/hp-hr	20 hrs
Maximum Fuel Consumption	3.99 gph (15.1 L/hr)	1,800 rpm	0.369 lb-hp-hr	26 hrs

*Engine run times calculated based on a 62 gallon fuel tank.

Specifications and illustrations are subject to revision without notice and without incurring any obligation for previous or subsequent equipment sold. Thompson Pump (ISO 9001:2015) makes no representation regarding the completeness or accuracy of this information and is not liable for any direct or indirect damages arising from or relating to this information or its use. Capacity & Head are shown for comparative purposes. Consult Thompson factory for exact capabilities.